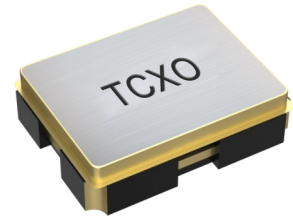


MINIATURE LOW COST SMD-TCXO

SERIES "TXO"

FEATURES

- + High reliability for low cost
- + Cheapest available SMD-TCXO
- + Available in 1.8, 2.6, 2.8, 3.0 and 3.3 VDC (1.7-3.5 VDC)
- + New standard for low cost SMD-TCXOs
- + Qualified for automotive applications
- + Extended temperature range to -40/+85°C available

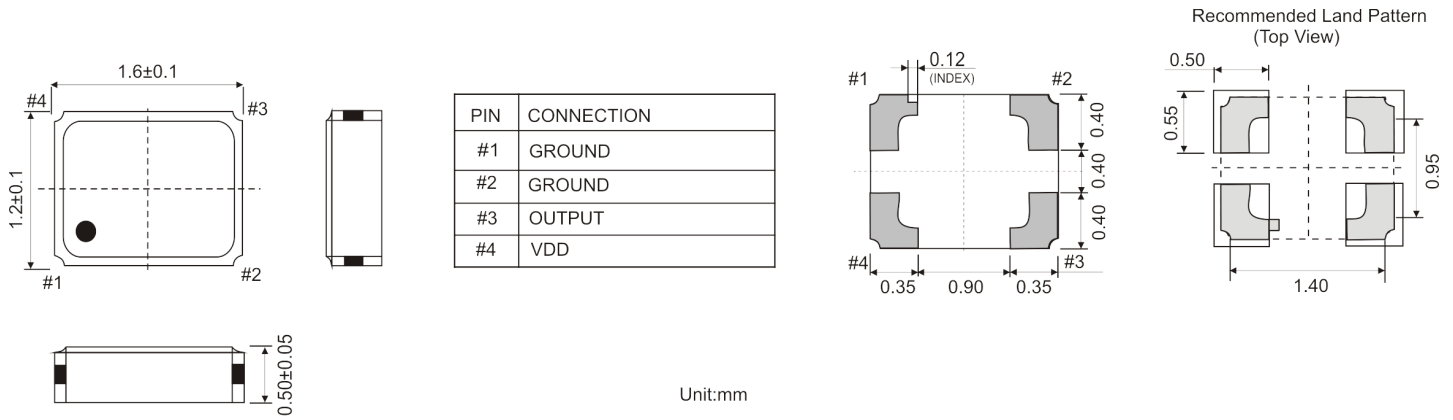


PB FREE / ROHS COMPLIANT

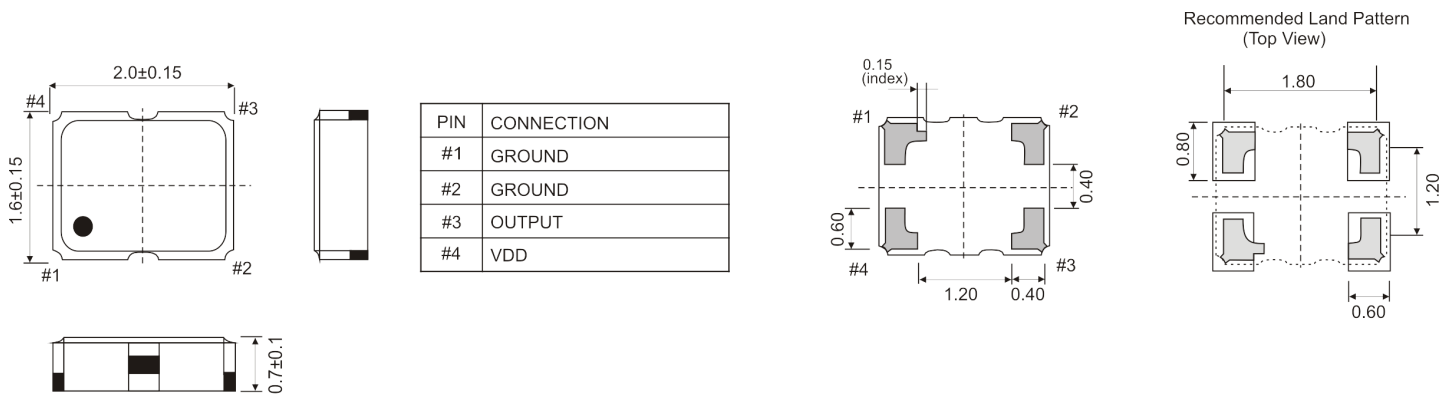
GENERAL DATA

PARAMETERS		PRODUCT FEATURES AND CONDITIONS		
SMD-OSCILLATOR SERIES		TXO		
PACKAGE	TXO1612	1.6 x 1.2 x 0.5 mm ³		
	TXO2016	2.0 x 1.6 x 0.7 mm ³		
	TXO2520	2.5 x 2.0 x 0.8 mm ³		
	TXO3225	3.2 x 2.5 x 0.9 mm ³		
FREQUENCY RANGE	TXO1612	16.0 ~ 60.0 MHz		
	TXO2016	12.288 ~ 52.0 MHz		
	TXO2520	9.6 ~ 52.0 MHz		
	TXO3225	9.6 ~ 52.0 MHz		
OPERATING TEMPERATURE RANGE		0/+70°C ~ -40/+85°C		
STORAGE TEMPERATURE RANGE		-55/+125°C		
STANDARD FREQUENCY		19.2 / 20 / 25 / 26 / 30 / 32 / 38.4 / 40 / 52 MHz		
SUPPLY VOLTAGE (VDD)		+1.8V / +2.6V / +2.8V / +3.0V / +3.3V		
CURRENT CONSUMPTION		+1.5mA max. (f≤26 MHz)/+2.0mA max. (26<f≤52 MHz)/+2.5mA max. (f≤60 MHz)		
OUTPUT LEVEL		0.8 Vp-p min. (f≤52 MHz) (Clipped Sinewave / DC-coupled)		
OUTPUT LOAD		10kΩ // 10pF		
FREQUENCY STABILITY	INITIAL TOLERANCE	± 1.5 ppm max. (after 2 reflows)		
	VS. TEMPERATURE	±1.0ppm, ± 2.5ppm max. /-30~+85°C ±1.0ppm, ± 2.5 ppm max. / -40~+85°C Other parameters are available on request		
	VS. SUPPLY VOLTAGE	± 0.2 ppm max. (VDD±5%)		
	VS. LOAD VARIATION	± 0.2 ppm max. (10kΩ // 10pF±10%)		
	VS. AGING	±1.0 ppm max. / year (ref. +25°C)		
Start-up Time		2.0 ms max.		
Phase Noise		[f ≤ 26MHz]	[26<f≤40MHz]	[40MHz<f≤52MHz]
Offset 100Hz		-115dBc/Hz	110dBc/Hz	105dBc/Hz
Offset 1kHz		-135dBc/Hz	135dBc/Hz	130dBc/Hz
Offset 10kHz		-150dBc/Hz	150dBc/Hz	145dBc/Hz
Offset 100kHz		-155dBc/Hz	155dBc/Hz	150dBc/Hz
DELIVERY FORM		Tape and Reel / 2.000 pcs. per reel, other quantities are available on request		
SELECT YOUR REQUIRED OSCILLATOR (PRODUCT CONFIGURATOR)		REQUEST OSCILLATOR SAMPLES (SAMPLE CONFIGURATOR)		

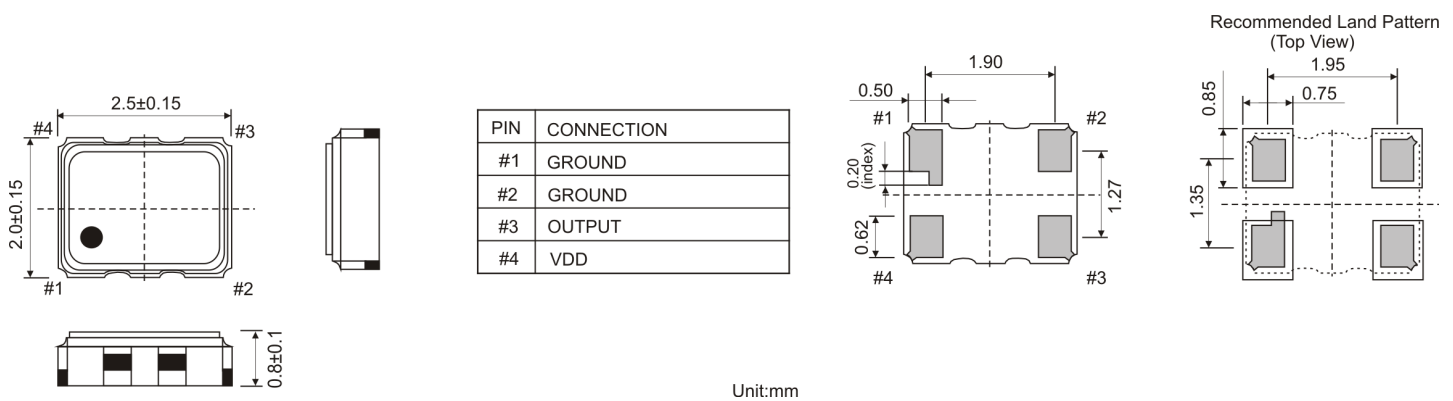
OUTLINE DRAWING OF TX01612



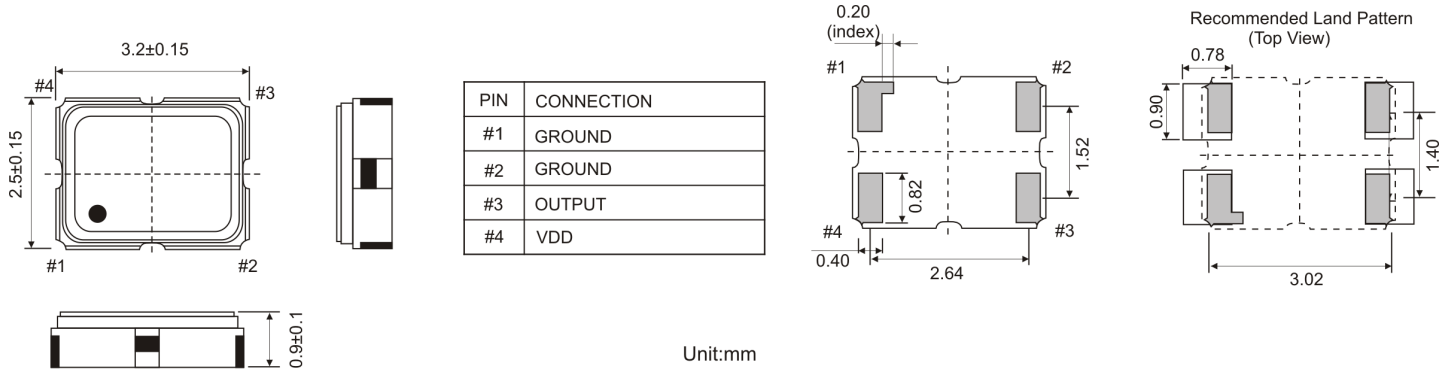
OUTLINE DRAWING OF TX02016



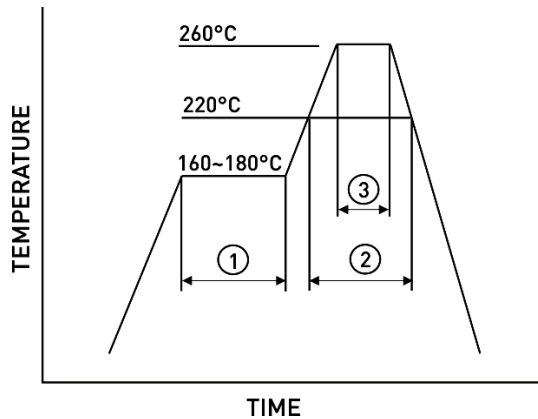
OUTLINE DRAWING OF TX02520



OUTLINE DRAWING OF TX03225

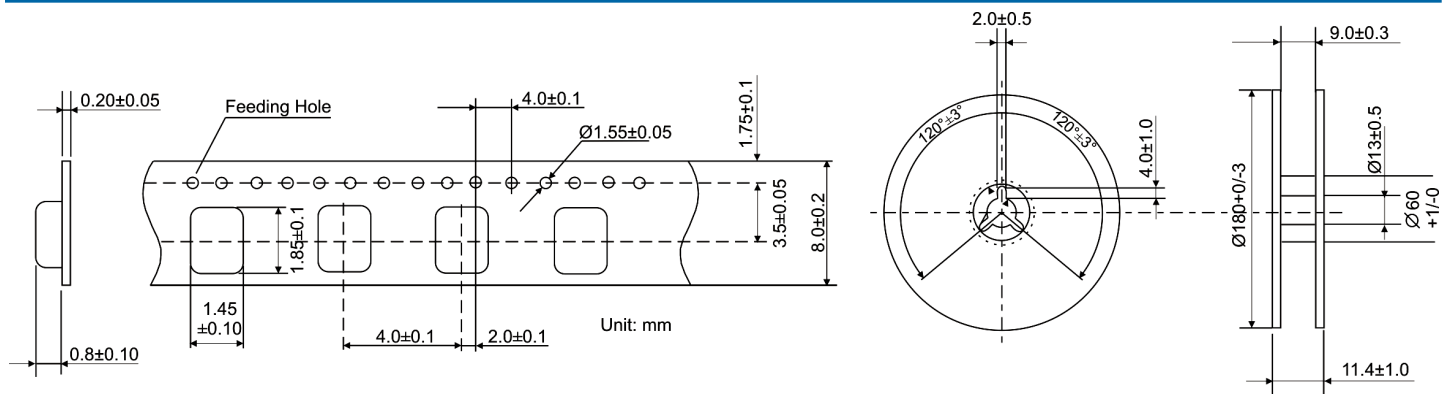


REFLOW SOLDER PROFILE

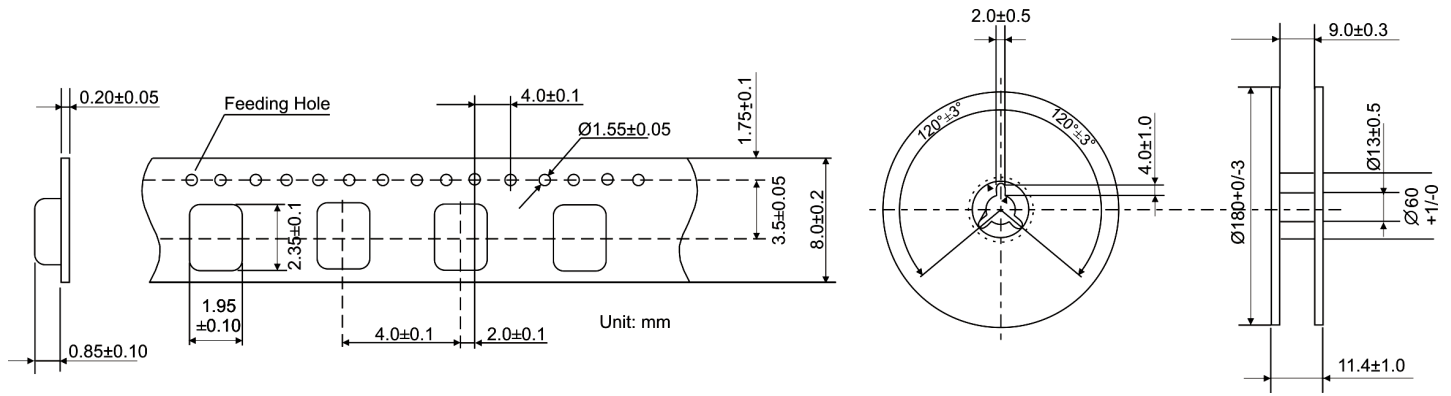


①	Preheat	160~180°C	120sec.
②	Primary heat	220°C	60sec.
③	Peak	260°C	10sec. max.

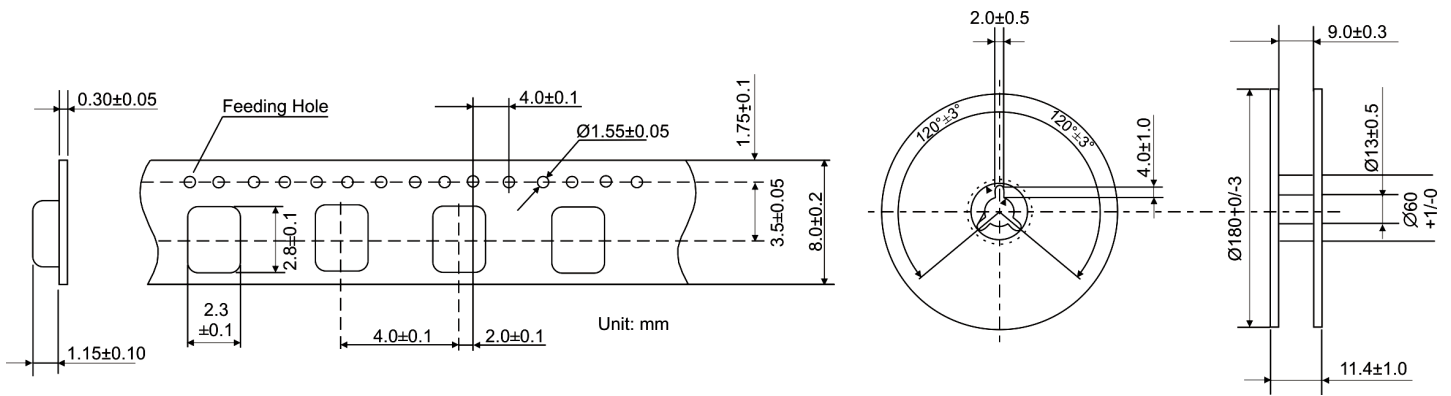
REEL SPECIFICATION OF TX01612



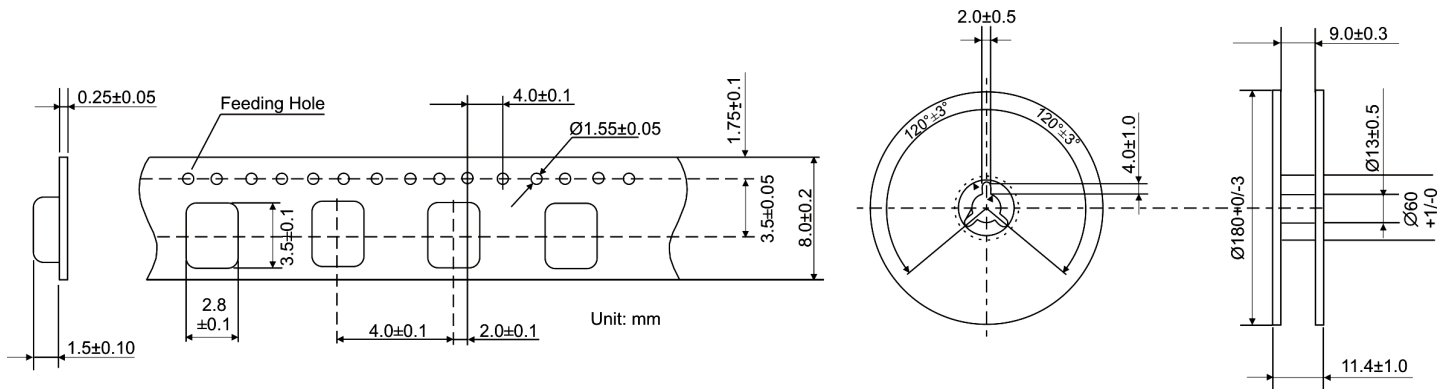
REEL SPECIFICATION OF TX02016



REEL SPECIFICATION OF TX02520

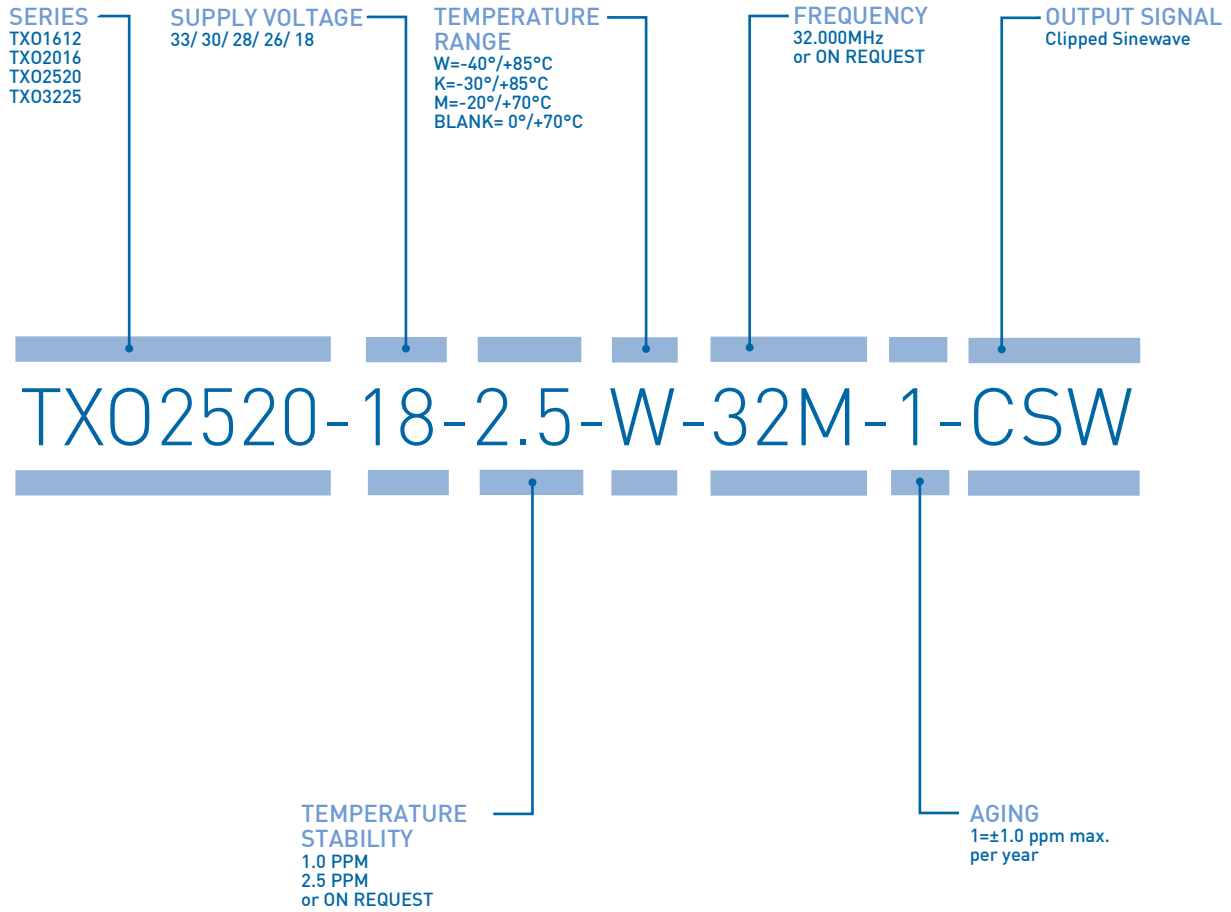


REEL SPECIFICATION OF TX03225





ORDERING INFORMATION



EXAMPLE: TX02520-18-2.5-W-32M-1-CSW
 PLEASE INDICATE YOUR REQUIRED PARAMETERS



PREMIUM QUALITY BY PETERMANN-TECHNIK



OUR COMPANY IS CERTIFIED ACCORDING TO ISO 9001:2015 IN OCTOBER 2016 BY THE DMSZ CERTIFIKATION GMBH.

THIS IS FOR YOU TO ENSURE THAT THE PRINCIPLES OF QUALITY MANAGEMENT ARE FULLY IMPLEMENTED IN OUR QUALITY MANAGEMENT SYSTEM AND QUALITY CONTROL METHODS ALSO DOMINATE OUR QUALITY STANDARDS.